

# Maintenance instructions ClimaRad Ventura V1D

## Maintenance frequency for filters

When should you replace the filters?

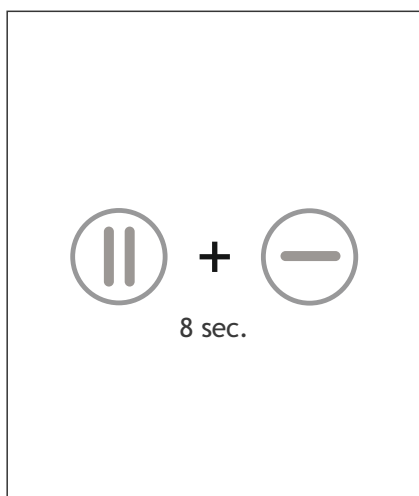
- With normal use, every 2 years or earlier if the message 'Filter vervuild' appears on the display (for example in homes and offices).
- In the case of intensive use, after 1 year or earlier if the message 'Filter vervuild' appears on the display (e.g. for care homes and schools).

### Ordering filters

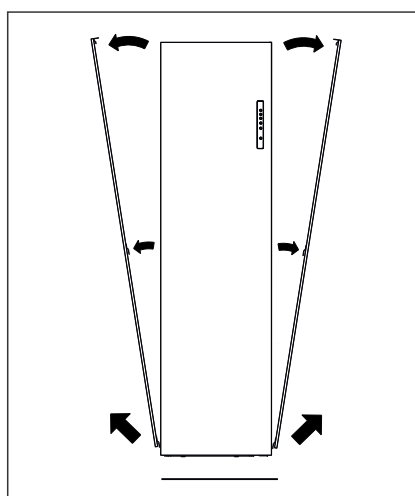
Order new filters at

[www.climarad.nl/filters](http://www.climarad.nl/filters)

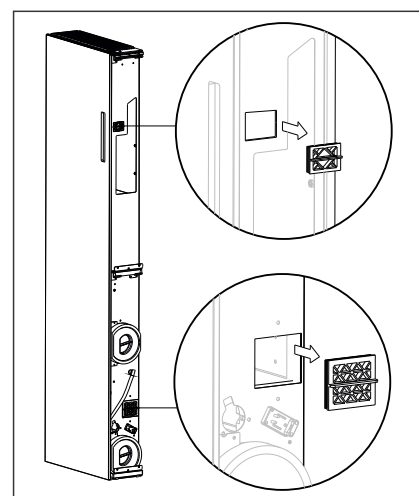
## Replacing air supply and air output filters



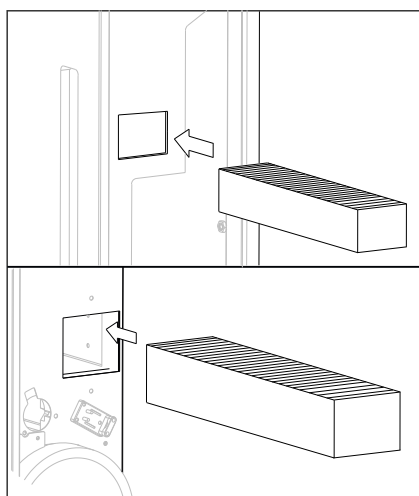
1. Set your device to service mode by holding the key combination above for 8 seconds. All LEDs will light up. Wait 1 minute for the valves to open.



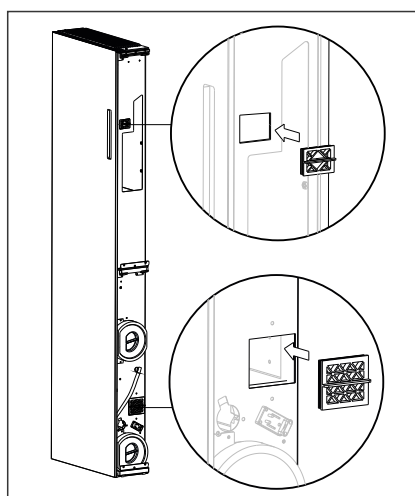
2. Remove one of the two side panels of the device.



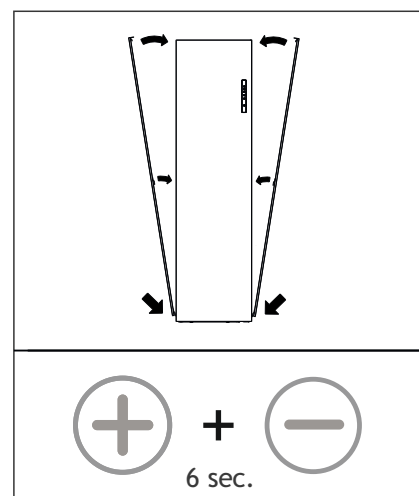
3. Remove the two black filter caps.



4. Remove both polluted filters and place the new inlet filter (below) and output filter (above).



5. Return the two filter caps to their correct positions.

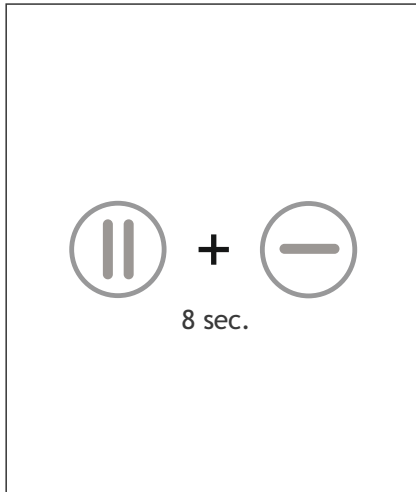


6. Place the side panel back. Reset the filter hour counter by holding the key combination above for 6 seconds. The "filter vervuild" notification will disappear.

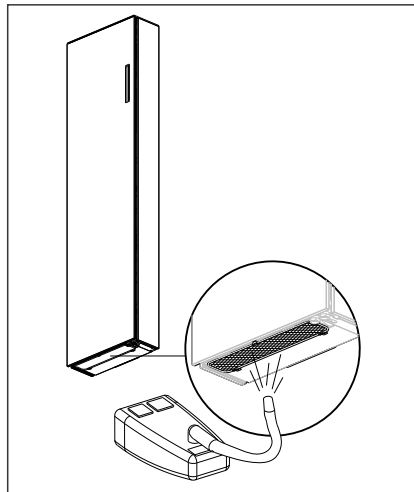
**Important:** Only reset the filter hour counter if you have replaced the filters.

Press any button to leave the service mode.

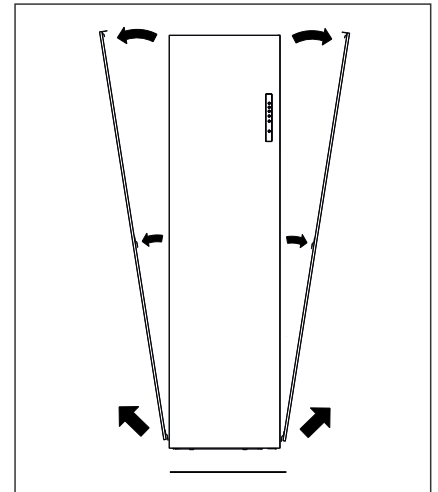
## Cleaning the air ducts and the insect mesh



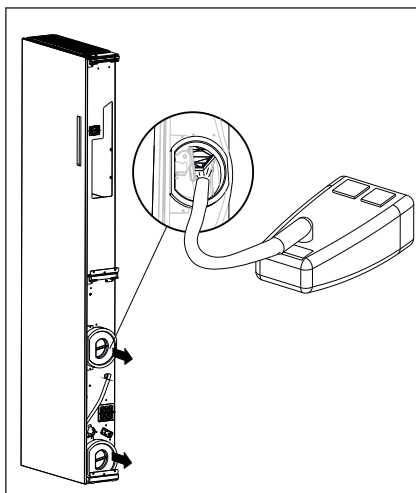
1. Set your device to service mode by holding the key combination above for 8 seconds. All LEDs will light up. Wait 1 minute for the valves to close.



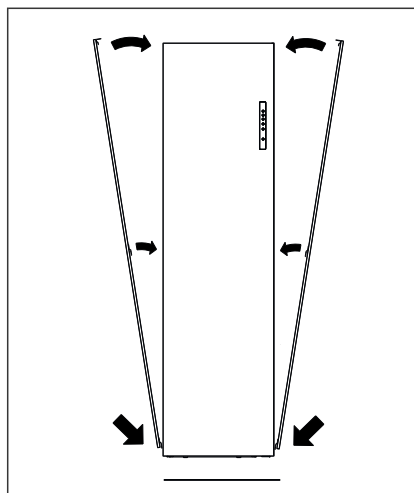
2. Clean the insect mesh at the bottom of the unit using your vacuum cleaner.



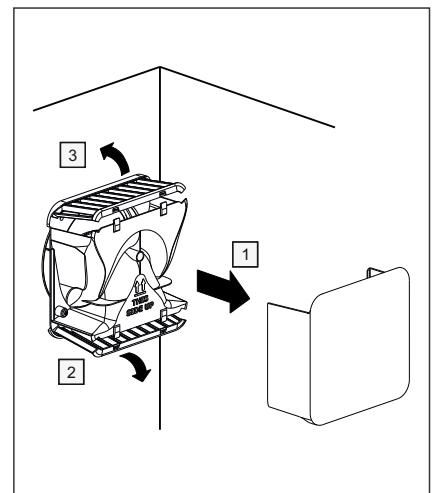
3. Remove one of the two side panels of the device.



4. Remove the caps from both air ducts. Clean the duct entrances with a dry cloth or your vacuum cleaner. Also clean the insect mesh in the upper air duct. Place the caps back in the device.



5. Place the side panel back. Press any button to leave the service mode.



6. Remove the casing of the unit in the external room and then the two slat grilles. Clean the unit with a dry cloth or your vacuum cleaner. Place the slats and the casing back.