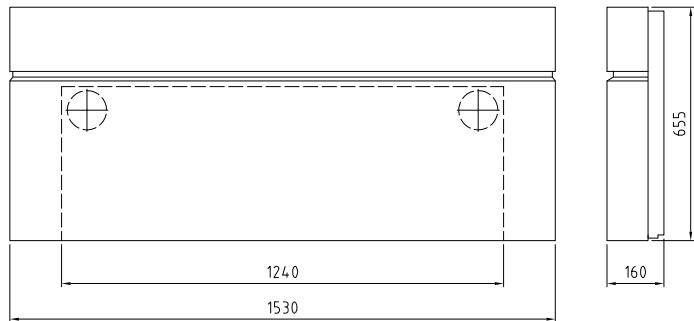


# ClimaRad Care H1C

The ClimaRad ventilation unit with convector is part of the ClimaRad Comfort Solution, which was developed especially for the care market. The unit has a built-in heat exchanger and various sensors that measure the air quality. A convector with additional ventilators is placed above the unit. This convector can be used to heat or cool. The ClimaRad provides ventilation, heating, and cooling for each room and is placed against an exterior wall.



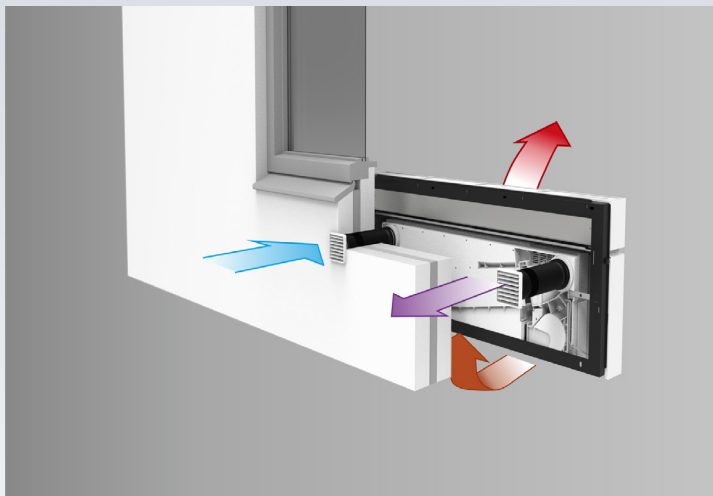
## ClimaRad Care H1C

Dimensions:	1530x655x160 mm (wxhxd)
Connections:	2 x Ø 110 mm
Ventilation output (max.):	125 m <sup>3</sup> /h
Sensors:	CO <sub>2</sub> , RV, RF (demand controlled)
Connected power load:	115 W (230 VAC/50Hz)
Electrical protection class:	Class II (double insulated)
Specific input power (SPI):	0,12 W/(m <sup>3</sup> /h)
Standby consumption:	0,5 W
Heat exchanger:	Counter-current to 90% yield
Valves:	Automatically closing valves for supply and output
Application in high-rise buildings:	Up to 60 meter
Air filters:	HAF-filter (class 7)
Energy label:	A+
Weight:	68 kg

## Outputs integrated convector

		ventilator speed		
		Normal	Medium	Boost
Heat outputs (Watt)	75/65/20°C	4091	4767	6632
	55/45/20°C	2455	2860	3979
	35/30/20°C	1023	1192	1658
Cooling outputs (Watt)	16/18/26°C	577	697	1051

## The operating principle



- Minimum parapet height is 720 mm
- CO<sub>2</sub> - en RV control
- Filters, class F7
- Heat exchanger yield to 90%
- Automatically closing valves that guarantee draught-free ventilation (also in high-rise buildings)
- Optional integrated communication module for integration into the Building Management System

**ClimaRad**<sup>®</sup>  
Future comfort today

ClimaRad BV  
Lübeckstraat 25  
7575 EE Oldenzaal  
The Netherlands

Tel. +31 (0) 541 358 130  
e-mail: [info@climrad.com](mailto:info@climrad.com)  
[www.climarad.co.uk](http://www.climarad.co.uk)



View the ClimaRad Solutions for the residential, commercial and healthcare markets.