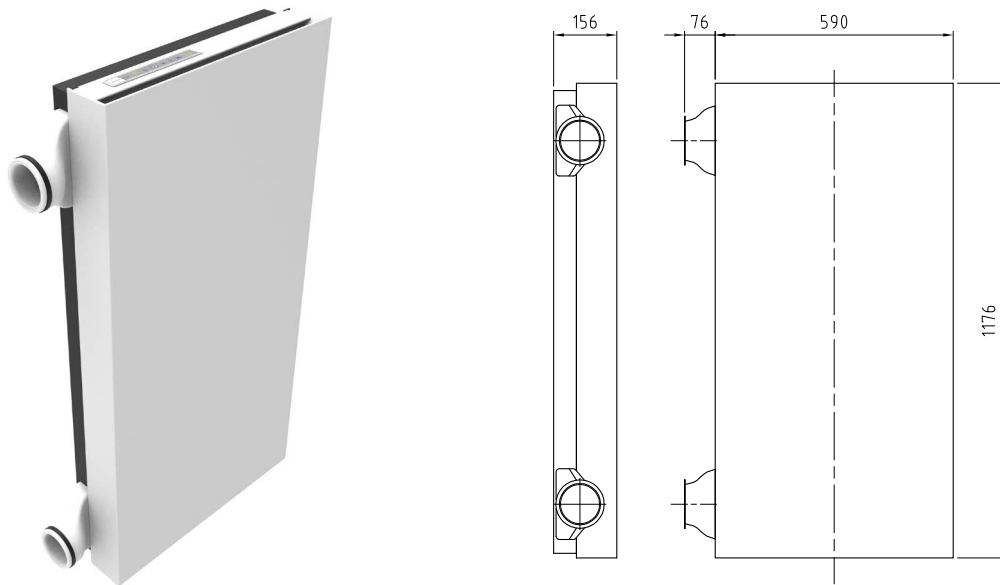


# ClimaRad Sensa V1LZ/V1RZ

The ClimaRad Sensa V1LZ/V1RZ is a ClimaRad Sensa Vertical unit with a connection on either the left-hand or right-hand side. This unit can be used in rooms that have no radiators but may have, for example, under-floor heating. A connection on the side of the unit is a good solution if there is insufficient space on the façade. This heat recovery ventilation unit, with a designer housing, is installed on an interior wall perpendicular to the façade. It is a self-contained ventilation unit that removes polluted air and supplies clean, preheated air, preventing an unacceptable level of draught. Intelligent sensors measure the air quality and automatically determine the required amount of ventilation. Because of the side connection, this ventilation unit is easy to use on a narrow pier (from 150 mm).



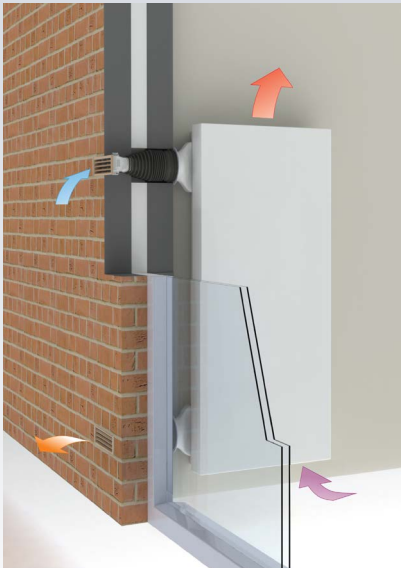
## ClimaRad Sensa V1LZ/V1RZ

|                                 |  |
|---------------------------------|--|
| Size:                           | 590x1176x156 mm (WxHxD)                            |
| Connections:                    | 2 x Ø 110 mm                                       |
| Ventilation rate (max.):        | 100 m <sup>3</sup> /h                              |
| Sensors:                        | CO <sub>2</sub> , RH, RF (demand-controlled)       |
| Reduced noise level via façade: | 51 dB  |
| Installed load:                 | 65 W (230 VAC/50Hz)                                |
| Electric Protection Class:      | Class II (double isolated)                         |
| Specific Power Input (SPI):     | 0,16 W/(m <sup>3</sup> /h)                         |
| Standby power consumption:      | 0,5 W  |
| Heat exchanger:                 | Counter-flow, up to 90% return                     |
| Valves:                         | Automatically closing supply and extraction valves |
| Air filters:                    | HAF-filter (class 7)                               |
| Energy label:                   | A+   |
| Weight:                         | 19 kg  |

## Technical details

| ClimaRad Sensa Vertical         |   |
|---------------------------------|---|
| Control                         | Automatic, based on CO <sub>2</sub> and RH. Functions: pause, maximum, summer night ventilation |
| Type of CO <sub>2</sub> -sensor | Infrared (self calibrating)   |
| Heat exchanger                  | Counter flow: up to 90%   |
| Air filters                     | HAF-filter (class 7)  |

## The operating principle



### The advantages:

- Application in combination with under-floor heating or other heat delivery systems
- Can be installed on narrow piers (from 150 mm)
- Energy efficient due to heat recovery, CO<sub>2</sub> and RH control
- 100% independent control
- Summer night ventilation
- Outside noise reduction

**ClimaRad**<sup>®</sup>  
Future comfort today

ClimaRad BV  
Lübeckstraat 25  
7575 EE Oldenzaal  
The Netherlands

Tel. +31 (0) 541 358 130  
e-mail: [info@climrad.com](mailto:info@climrad.com)  
[www.climarad.co.uk](http://www.climarad.co.uk)



View the ClimaRad Solutions for the residential, commercial and healthcare markets.