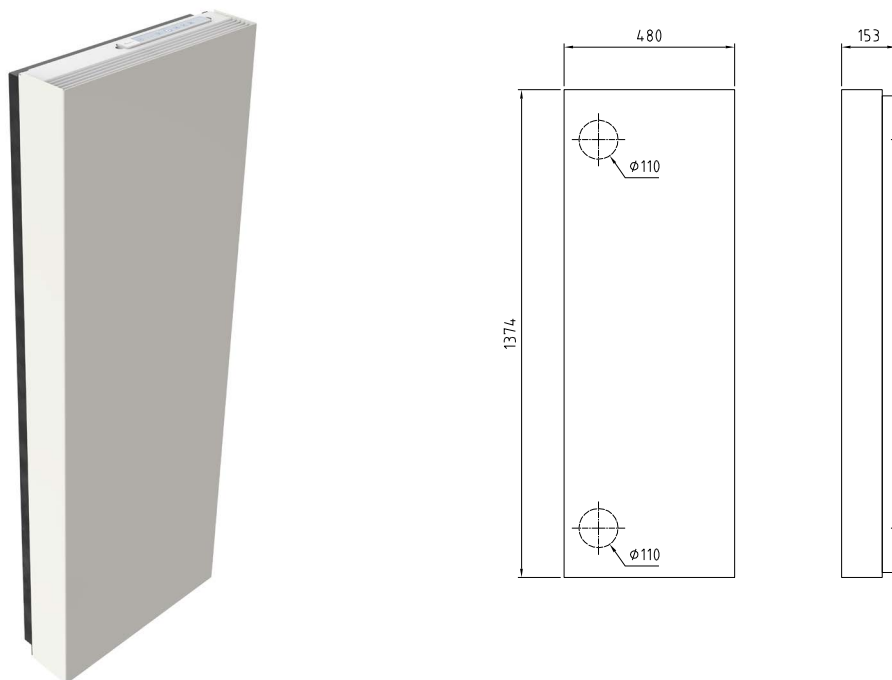


ClimaRad Sensa V2X

The ClimaRad Sensa V2X is the latest Sensa in the ClimaRad range. This ventilation unit is a quieter and slimmer version, and is thus suitable for various situations. The ClimaRad Sensa V2X is a self-contained unit which extracts polluted air and supplies clean air. The unit has a designer housing and is often used in rooms with underfloor heating. Intelligent sensors measure the air quality and automatically determine the required ventilation.



ClimaRad Sensa V2X

Dimensions:	480x1374x153 mm (wxhxd))
Connections:	2 x $\phi 110$ mm
Air flow (max):	100 m ³ /h
Sensors:	CO ₂ , RH, RF (demand-controlled)
Connected power:	65 W (230 VAC/50Hz)
Electrical protection class:	Class II (double insulated)
Specific power input (SPI):	0,12 W/(m ³ /h)
Standby consumption:	0,5 W
Heat exchanger:	Counter flow is up to 90% efficient
Valves:	Automatically closing valves for inlet and outlet
Air filters:	HAF-filter (Class 7)
Energy label:	A+
Weight:	Ventilation-unit: 19 kg, Housing: 17 kg

Technical details

ClimaRad Sensa V2X	
Operation	Automatically, based on CO ₂ and RH. Functions: pause, maximum, summer night ventilation
Type of CO ₂ -sensor	Infrared (self-calibrating)
Heat exchanger	Counter flow; up to 90% efficient
Air filters	HAF-filter (Class 7)

The operating principle



The advantages:

- Energy-efficient
- CO₂ and RH controlled
- Low-maintenance
- 100% independent of residents
- Heat recovery
- Dampening of outside noise
- Summer night ventilation

ClimaRad[®]
Future comfort today

ClimaRad BV
Lübeckstraat 25
7575 EE Oldenzaal
The Netherlands

Tel. +31 (0) 541 358 130
e-mail: info@climarad.com
www.climarad.co.uk



View the ClimaRad Solutions for the residential, commercial and healthcare markets.